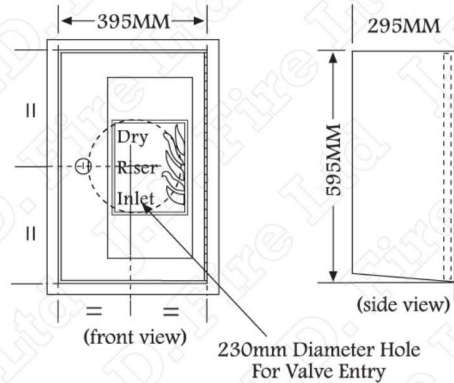




# DATASHEET - INLET CABINET REV2.01

## Recessed Vertical Inlet Cabinet



### Cabinet Specifications

Cabinet & Door: 16swg Zintec Steel.  
 Colour: As Standard Red Ral 3002.  
 Architrave: 38mm Wide All Round.  
 Glass: 6mm Georgian Wired, PRV Lettering.  
 Lock: Yale Slam Lock Keyed Alike.  
 Hinge: Stainless Steel Piano Hinge.  
 Conforms: To BS 5041 Part 5.

### Options

- 1) Full cabinet polyester powder coated to your colour specifications, all we need is a Ral or BS number.
- 2) Cabinets can be manufactured to your individual specifications and dimensions.
- 3) Cabinets can be manufactured with special doors to take marble, stone etc.
- 4) Cabinets can be manufactured to take fire brigade budget locks recommended on solid door version.

(Minimum aperture 405mm wide 605mm high)

Specifications:	Dimensions:			Approx. Weight Kgs
	High mm	Width mm	Depth mm	
Red As Standard	595	395	295	30
Stainless Steel Satin Polished finish	595	395	295	30

## Recessed Horizontal Inlet Cabinet

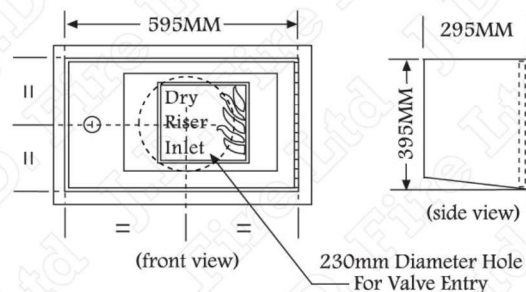


### Options

- 1) Full cabinet polyester powder coated to your colour specifications, all we need is a Ral or BS number.
- 2) Cabinets can be manufactured to your individual specifications and dimensions.
- 3) Cabinets can be manufactured with special doors to take marble, stone etc.
- 4) Cabinets can be manufactured to take fire brigade budget locks recommended on solid door version.

### Cabinet Specifications

Cabinet & Door: 16swg Zintec Steel.  
 Colour: As Standard Red Ral 3002.  
 Architrave: 38mm Wide All Round.  
 Glass: 6mm Georgian Wired, PRV Lettering.  
 Lock: Yale Slam Lock Keyed Alike.  
 Hinge: Stainless Steel Piano Hinge.  
 Conforms: To BS 5041 Part 5.



(Minimum aperture 605mm wide 405mm high)

Specifications:	Dimensions:			Approx. Weight Kgs
	High mm	Width mm	Depth mm	
Red As Standard	395	595	295	30
Stainless Steel Satin Polished finish	395	595	295	30