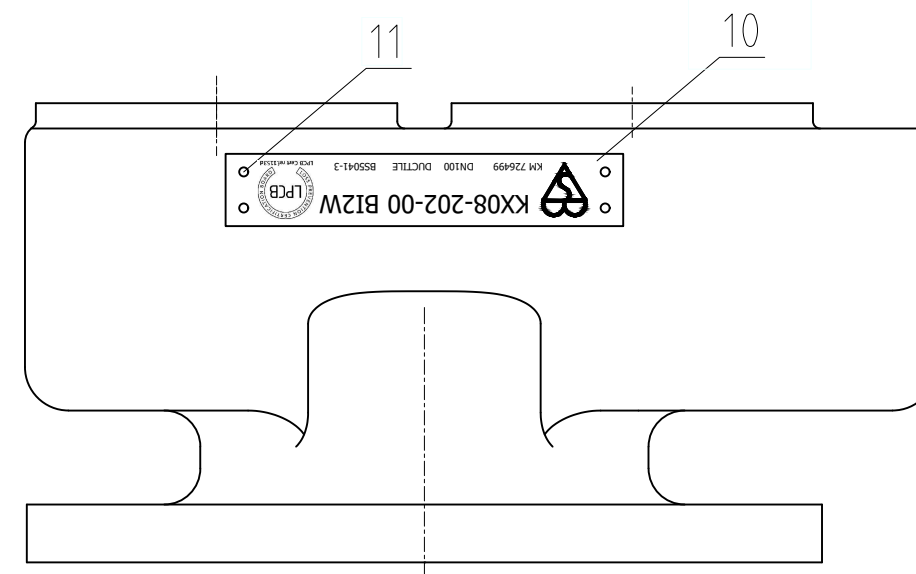


A - A



Technical requirements:

1. The product is designed, produced and tested according to BS5041-3.
2. No grease, knock, scratch and other defects on the rear surface of the assembly.
3. All tests shall be conducted according to the enterprise standards and relevant inspection instructions.
4. The working pressure is 20Bar, the test pressure is 30Bar, and there is no leakage after 2 minutes of pressure holding.
5. Surface spraying pitted red plastic (RAL3000) treatment.

序号	代号	名称	数量	材料	单件重量	总计重量	备注
11	FT16-082S-100A	Rivet	4	Copper			
10	KX08-202-125	Label	1	6061			
9	KX06-067-35B	Connector	1	BS-1C22			
8	KX06-032-09	Chain	3	SS304			
7	KX06-043A1-00-Z	1" Gate valve	1				
6	KX06-067-35C	Connector	1	CZ121			
5	KX07-033A-37	Washer	1	NBR			
4	KX06-067-78A	Cap	1	CZ121			
3	KX08-017-78	Cap	2	PE			
2	KX08-017B-00-QT	BS336 Coupling assembly	2				
1	KX08-202-85	2Way breaching	1	QT450-10 (QT400-18)			

NO.	REV.	DESCRIPTION	BY WHO	DATE	QTY	SCALE
					1	1:2
INITIAL		NAMES		DATES	VERSION NUMBER	WEIGHT
				2020.10.29	MATERIAL	